

# LEA-4A, LEA-4H, LEA-4M, LEA-4P, LEA-4R, LEA-4S, LEA-4T

## ANTARIS<sup>®</sup> 4 GPS Modules Data Sheet



### Abstract



Technical Data Sheet describing the economical and flexible ANTARIS<sup>®</sup>4 based LEA-4x series (LEA-4A, LEA-4H, LEA-4M, LEA-4P, LEA-4R, LEA-4S, LEA-4T) of GPS Modules. The available features include USB and serial interface, SuperSense indoor GPS, Precision Timing, raw measurement data, and Dead Reckoning. The modules are integrated within a compact 17 x 22.4 mm housing, and support passive and active antennas.

<b>Title</b>	LEA-4A, LEA-4H, LEA-4M, LEA-4P, LEA-4R, LEA-4S, LEA-4T		
<b>Subtitle</b>	ANTARIS® 4 GPS Modules		
<b>Doc Type</b>	Data Sheet		
<b>Doc Id</b>	GPS.G4-MS4-06143-1		
<b>Revision Index</b>	<b>Date</b>	<b>Name</b>	<b>Status / Comments</b>
	1. Dec. 2006	TG	Release
1	May 25, 2007	TG	Ordering Information

We reserve all rights in this document and in the information contained therein. Reproduction, use or disclosure to third parties without express authority is strictly forbidden.

For most recent documents, please visit [www.u-blox.com](http://www.u-blox.com)

<b>The current document replaces the following Data Sheets:</b>		
<b>Data Sheet Document Name</b>	<b>Identification of applicable hardware</b>	<b>Comments</b>
GPS.G4-MS4-05017	LEA-4A	
GPS.G4-MS4-05019	LEA-4H	
GPS.G4-MS4-06108	LEA-4M	
GPS.G4-MS4-05021	LEA-4P	
GPS.G4-MS4-05072	LEA-4S	
GPS.G4-MS4-05070	LEA-4T	

	Products marked with this lead-free symbol on the product label comply with the "Directive 2002/95/EC of the European Parliament and the Council on the Restriction of Use of certain Hazardous Substances in Electrical and Electronic Equipment" (RoHS).
	This is an Electrostatic Sensitive Device (ESD). Observe precautions for handling.

Performance characteristics shown in this document are estimates only and do not constitute a warranty or guarantee of product performance. u-blox does not support any applications in connection with weapon systems. Since u-blox' products are not designed for use in life-support and commercial aviation applications they shall not be used in such products. In devices or systems whereby malfunction of these products can be expected to result in personal injury and casualties, u-blox customers using or selling these products do so at their own risk and agree to keep u-blox harmless from any consequences. u-blox reserves the right to make changes to this product, including its circuits and software, in order to improve its design and/or performance, without prior notice.

u-blox makes no warranties, neither expressed nor implied, regarding the information and specifications contained in this document. u-blox assumes no responsibility for any claims or damages arising from information contained in this document, or from the use of products and services detailed therein. This includes, but is not limited to, claims or damages based on the infringement of patents, copyrights, mask work and/or other intellectual property rights.

u-blox integrated circuits, software and designs are protected by intellectual property laws in Switzerland and abroad. u-blox, the u-blox logo, the TIM-type GPS module, Antaris, SuperSense, "your position is our focus", NavLox, u-center, AssistNow, AlmanacPlus, FixNow and EKF are (registered) trademarks of u-blox AG. This product may in whole or in part be subject to intellectual property rights protection. Please contact u-blox for any additional information. Copyright © 2007, u-blox AG.

# 1 Functional Description

## 1.1 Overview

The LEA-4A, LEA-4H, LEA-4M, LEA-4P, LEA-4R, LEA-4S, LEA-4T are a series of GPS modules featuring u-blox's 16-channel ANTARIS<sup>®</sup>4 receiver technology. They provide high performance with low power consumption and feature a USB port for faster data transmission and more flexibility. The ANTARIS<sup>®</sup>4 GPS engine offers outstanding navigation performance even in the most challenging metropolitan areas.

As the successors to the LEA-LA module, the LEA-4x modules also share the 17 x 22.4 mm form factor. The small form factor and SMT pads allow for fully automatic assembly processes with standard pick-and-place equipment and reflow soldering, enabling cost-efficient, high-volume production. The combination of these features make these modules suitable for a broad spectrum of GPS products, for which high performance, low cost, low power consumption and small size are key requirements.

The LEA-4x modules are fully interchangeable, providing the flexibility to use the module with the optimal features for application specific requirements.

## 1.2 Highlights and Features

- **Cost-optimized and flexible architecture**
- **Low power consumption**
- **A-GPS and autonomous operation, AssistNow<sup>®</sup> ready**
- **Up to 4Hz Position Update rate**
- **Support DGPS, WAAS, EGNOS and MSAS**

For an overview of the various features available with the different LEA-4x models please see Table 1.

<i>Module</i>	<i>16 Channel ANTARIS<sup>®</sup>4 GPS Engine</i>	<i>SuperSense<sup>®</sup></i>	<i>Nonvolatile Memory</i>	<i>Serial Ports</i>	<i>USB</i>	<i>AssistNow Online<sup>®</sup></i>	<i>AssistNow Offline<sup>®</sup></i>	<i>Configuration Pins</i>	<i>Antenna Supervisor</i>	<i>Antenna Bias Voltage</i>	<i>Dead Reckoning</i>	<i>Timing Mode</i>	<i>Raw Data</i>	<i>Temperature Range (°C)</i>
LEA-4A	✓		ROM	2	✓	✓		✓	✓	✓				-40 ... +85
LEA-4H	✓	✓	Flash	1	✓	✓	✓		✓	✓				-40 ... +85
LEA-4M	✓		ROM	2	✓	✓		✓						-30 ... +70
LEA-4P	✓		Flash	1	✓	✓	✓		✓	✓				-40 ... +85
LEA-4R	✓		Flash	1	✓	✓			✓	✓	✓			-40 ... +85
LEA-4S	✓	✓	ROM	2	✓	✓		✓	✓	✓				-40 ... +85
LEA-4T	✓	✓	Flash	1	✓	✓			✓	✓		✓	✓	-40 ... +85

**Table 1: Available features of the LEA-4x series**

### 1.3 Block Diagram

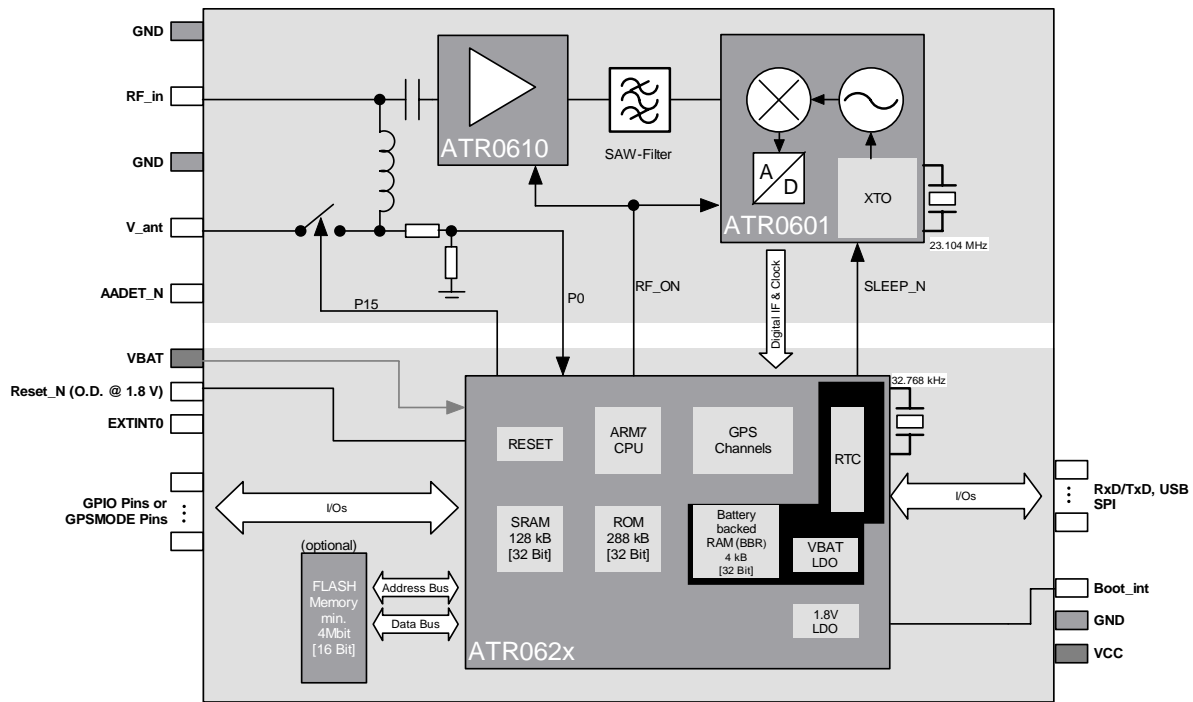


Figure 1: Hardware Block Schematic

### 1.4 Operating Modes

The ANTARIS®4 GPS Technology supports the following Operating Modes:

Operating Modes	Description
<b>Continuous Tracking Mode (CTM)</b>	In this mode, the Autonomous Power Management (APM) automatically optimizes power consumption. It powers off parts of the receiver when they are not used. Also, the CPU speed is reduced when the CPU workload is low.
<b>Power Saving Modes</b>	A configurable power saving mode is available where the GPS is put into sleep mode and activated up on a selectable time interval or upon external request (signal activity on serial port or EXTINT input). This mode is ideally suited in applications with stringent power budget requirements in mobile and battery operated end products.

Table 2: Operating Modes

For more information see the *ANTARIS®4 System Integration Manual* [1].

### 1.5 Assisted GPS (A-GPS)

The ANTARIS®4 GPS engine supports Mobile Station (MS) based A-GPS for accelerated acquisition and position computation in the GPS receiver. In addition, timing receivers (such as the LEA-4T) support MS assisted (output of raw tracking information for position computation by the service provider). Supply of aiding information like ephemeris, almanac, rough last position and time and satellite status and an optional time synchronization signal will reduce time to first fix significantly. All LEA-4x modules support the u-blox AssistNow Online® A-GPS service. The LEA-4H and LEA-4P are also AssistNow Offline® ready.

## 1.6 Antenna

The LEA-4x modules are designed for use with passive and active antennas. An antenna supervisor is provided on all modules except the LEA-4M. If activated, the GPS receiver is capable of detecting short circuits to the active antenna by checking the bias voltage level and can shut down the voltage bias immediately. A series resistor is needed in front of the **V\_ANT** input. UBX and NMEA messages are provided to report the condition of the antenna supply. Open circuit detection can also be supported with an additional external circuit. For details, please refer to the *ANTARIS®4 System Integration Manual* [1].

Parameter	Specification	
Antenna Type	Passive and active antenna	
Active Antenna Recommendations	Minimum gain	15 - 20 dB (to compensate signal loss in RF cable)
	Maximum noise figure	1.5 dB
	Maximum gain	50 dB

**Table 3: Antenna Specifications for all LEA-4 Modules**

Parameter	Specification	
Antenna Supply	Using <b>VCC_RF</b> or external voltage source	
Antenna Supervisor	Short circuit detection	Built-in
	Open circuit detection	Enabled with external circuit

**Table 4: Antenna Supervisor Specifications (feature not available with the LEA-4M)**

## 1.7 Configuration

### 1.7.1 Boot-Time GPSMODE Configuration

The LEA-4A, LEA-4M and LEA-4S provide four GPSMODE pins for boot-time configuration. They become effective immediately after start-up. Once the module has started, the configuration settings may be modified with UBX configuration messages. The modified settings remain effective until power-down or reset. If these settings have been stored in battery-backup RAM (with the CFG-CFG message), then the modified configuration will be retained, as long as the backup battery supply is not interrupted.

GPSMODE 2	GPS sensitivity settings
0	Normal sensitivity mode
1	High sensitivity mode

**Table 5: GPSMODE Configuration for LEA-4A, LEA-4M**

GPSMODE 23	GPS sensitivity settings
0	Auto mode
1	High sensitivity mode

**Table 6: GPSMODE Configuration for LEA-4S**

GPSMODE 7	USB power settings
0	Bus-Powered USB Interface
1	Self-Powered USB Interface

**Table 7: USB Settings**

GPSMODE 6	GPSMODE 5	Activated Message Set	Serial Port 1		Serial Port 2	
			Baud Rate	Protocol	Baud Rate	Protocol
0	0	High	19.2 Kbaud	NMEA	57.6 Kbaud	UBX
0	1	Low	4.8 Kbaud	NMEA	19.2 Kbaud	UBX
1	0	Medium (default)	9.6 Kbaud	NMEA	38.4 Kbaud	UBX
1	1	Reserved for factory use	115.2 Kbaud	UBX	19.2 Kbaud	NMEA

**Table 8: Supported GPSMODE settings**

### 1.7.2 Configuration (LEA-4H, LEA-4P, LEA-4R, LEA-4T)

With the LEA-4H, LEA-4P, LEA-4R and LEA-4T the configuration settings can be modified with UBX configuration messages. The modifications can be saved to the Flash memory.

For more information see the *ANTARIS® 4 System Integration Manual* [1].

## 1.8 Dead Reckoning (LEA-4R)

Dead reckoning GPS receivers supplement the GPS information with an incoming signal from a gyroscope (turn rate sensor) and odometer pulses to do dead reckoning navigation through periods of poor GPS reception. Depending on the quality of the available GPS signals, the LEA-4R uses an algorithm specially developed by u-blox in order to compute the next positions accurately by using an automatically weighted average of the GPS and sensor inputs. This provides precise navigation in locations with no or impaired GPS reception, for example in tunnels, indoor car parks and deep urban canyons.

The LEA-4R is a low power dead reckoning GPS receiver module. It is the ideal solution for high-volume applications requiring a cost-effective and tightly integrated product that provides a continuous and reliable positioning fix 100% of the time.

### 1.8.1 Supported Peripheral Components (LEA-4R)

The LEA-4R supports the following peripheral components (Table 9):

A/D converters with SPI interface	digital temperature sensors with SPI interface
Linear Technology, LTC1860, 12-bit A/D converter	National Semiconductors, LM70, precision: 10 bits plus sign

**Table 9: Supported peripheral components**

Gyroscopes should at least meet the requirements listed below:

Parameter	Specification
Supply Voltage	5.0V $\pm$ 0.25V
Zero Point	2.5V $\pm$ 0.4V
Scale factor	25mV/ $^{\circ}$ /s $\pm$ 5mV/ $^{\circ}$ /s
Dynamic Range	$\pm$ 60 $^{\circ}$ /s to $\pm$ 125 $^{\circ}$ /s
Linearity	$\pm$ 0.5% (Full scale)
Recommended operating temperature range	-40 to +85 $^{\circ}$ C

**Table 10: Required Specifications for Gyroscopes**

Gyroscopes with a sensitivity (scale factor) of lower than 20mV/ $^{\circ}$ /s may work but the performance will be degraded. For this reason u-blox does not recommend using gyros with a lower sensitivity.

For implementation details as well as a list of supported gyroscopes that u-blox is currently aware of, or for more information about Dead Reckoning and other special features of the LEA-4R please refer to the *TIM/LEA-4R System Integration Manual* [3].

## 1.9 Protocols

The LEA-4x series supports different serial protocols.

Protocol	Type	Runs on
NMEA	Input/output, ASCII, 0183, 2.3 (compatible to 3.0)	All serial ports and USB
UBX	Input/output, binary, u-blox proprietary	All serial ports and USB
RTCM	Input, messages 1,2,3,9	All serial ports and USB

**Table 11: Available Protocols**

For specification of the various protocols see the *ANTARIS<sup>®</sup>4 Protocol Specification* [2].

## 1.10 LEA-4T

### 1.10.1 Time Mode

LEA-4T provides a special Time Mode to provide higher timing accuracy. The LEA-4T is designed for use with stationary antenna setups. The Time Mode features three different settings described in Table 12: Disabled, Survey-In and Fixed Mode.

Time Mode Settings	Description
<b>Disabled</b>	Standard PVT operation with SuperSense® enabled
<b>Survey-In</b>	The GPS receiver computes the average position over an extended time period until a predefined maximum standard deviation has been reached. Afterwards the receiver will be automatically set to <b>Fixed Mode</b> and the timing features will be activated.
<b>Fixed Mode</b>	In this mode, a fixed 3D position and known standard deviation is assumed and the timing features are activated. <b>Fixed Mode</b> can either be activated directly by feeding pre-defined position coordinates (ECEF - Earth Center Earth Fixed format) or by performing a <b>Survey-In</b> .  In Fixed mode, the timing errors in the TIMEPULSE signal which otherwise result from positioning errors are eliminated. Single-satellite operation is supported, but must be activated separately using the UBX-CFG-NAV2 message. For details, please refer to the <i>ANTARIS®4 System Integration Manual</i> [1].

**Table 12: Time Mode Settings**

In **Fixed Mode**, the accuracy of the TIMEPULSE signal is higher. Note that the TIMEPULSE signal has a granularity is 43 ns which results from the 23.104 MHz GPS clock. Using the available quantization error information (see UBX-TIM message) in external post-processing, a significantly higher timing accuracy can be achieved.

### 1.10.2 Time Mark

LEA-4T can be used for precise time measurements with a sub microseconds resolution using the external interrupt (EXTINT0 and EXTINT1). Rising and falling edges of these signals are time-stamped to the GPS or UTC time and counted. The Time Mark functionality can be enabled with the UBX-CFG-TM2 message

For details, please refer to the *ANTARIS®4 System Integration Manual* [1].

### 1.10.3 Raw Data Output

The LEA-4T supports raw data output at an uptake rate of 10 Hz. The UBX-RXM-RAW message includes carrier phase with half-cycle ambiguity resolved, code phase and Doppler measurements, which can be used in external applications that offer precision positioning, real-time kinematics (RTK) and attitude sensing.



## 2 GPS Performance

Parameter	Module	Specification
Receiver Type	All	L1 frequency, C/A Code, 16-Channels 8192 time / frequency search windows
Max Navigation Update Rate	All LEA-4T	4 Hz Raw Data 10 Hz
Accuracy	All	Position 2.5 m CEP <sup>2</sup> 5.0 m SEP <sup>3</sup> Position DGPS / SBAS <sup>1</sup> 2.0 m CEP 3.0 m SEP
Acquisition <sup>4,5</sup>	All	GPS Mode: Fast Acq. Normal High Sens. Auto Cold Start 34 s 36 s 41 s 34 s Warm Start 33 s Hot Start <3.5 s Reacquisition <1 s
Sensitivity <sup>6</sup>	LEA-4A LEA-M LEA-4P LEA-4R	Tracking -150 dBm Acquisition & Reacquisition -140 dBm Cold Starts -140 dBm
	LEA-4H LEA-4S LEA-4T	Tracking -158 dBm Acquisition & Reacquisition -148 dBm Cold Starts -142 dBm
Accuracy of Timepulse Signal	All	RMS 50 ns 99% <100 ns Granularity 43 ns Compensated <sup>7</sup> (LEA-4T) 15 ns Time Pulse Configurable: 0.1 ... 1000 Hz
Dynamics	All	≤ 4 g
Operational Limits	All	Maximum Speed 515 m/s

**Table 13: Performance Specification**

<sup>1</sup> Depends on accuracy of correction data of DGPS or SBAS service

<sup>2</sup> CEP = Circular Error Probability: The radius of a horizontal circle, centered at the antenna's true position, containing 50% of the fixes.

<sup>3</sup> SEP = Spherical Error Probability. The radius of the sphere, centered at the true position, contains 50% of the fixes.

<sup>4</sup> The different start-up modes like cold, warm and hot start are described in the *ANTARIS<sup>4</sup> System Integration Manual* [1]

<sup>5</sup> Measured with good visibility and -125 dBm signal strength

<sup>6</sup> Demonstrated with a good active antenna

<sup>7</sup> Quantization error information can be used to compensate the granularity related error of the time pulse signal

## 3 Mechanical Specifications

### 3.1 Dimensional Specifications

Parameter	Specification
Length	22.4±.1mm [881 ±4mil]
Width	17.0±.1mm [669 ±4mil]
Thickness	3.0 ±0.3mm [118 ±12mil]
Pitch RF pins	1.1±0.1mm [43 ±4mil]
Pitch Digital pins	1.1±0.1mm [43 ±4mil]
Weight	2.1g

Table 14: Mechanical Specification

### 3.2 Dimensional Diagrams

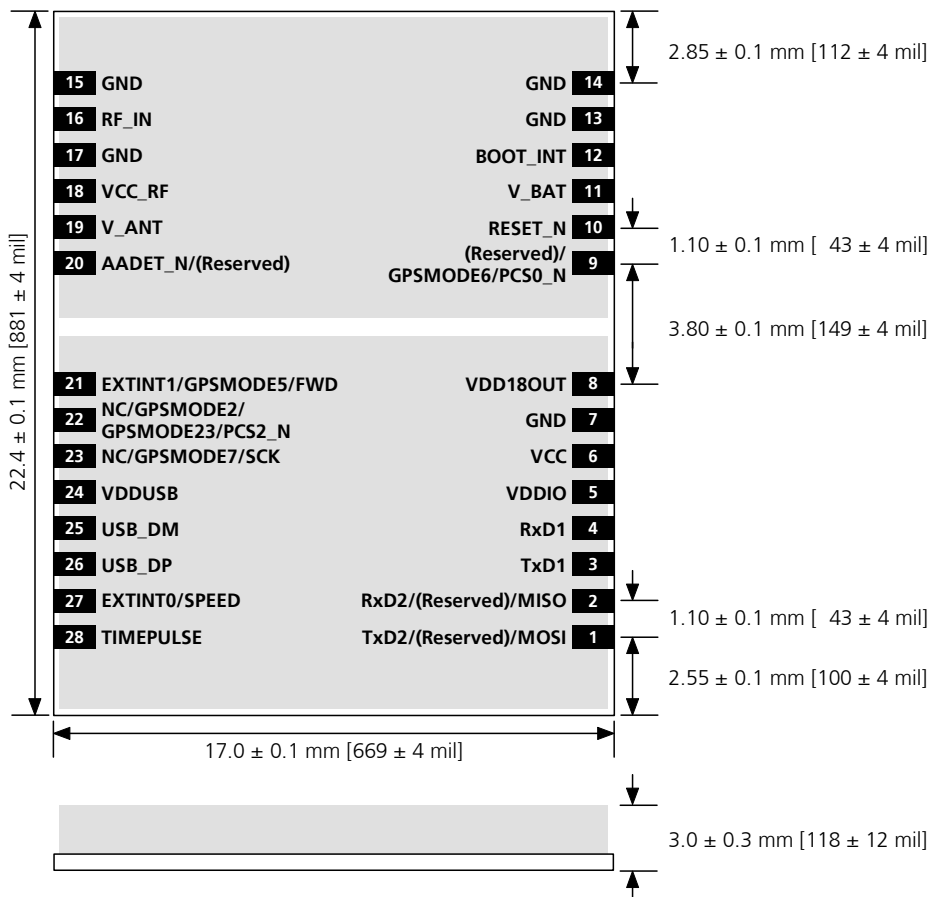


Figure 2: Dimensions

**Note** For detailed information for a design in, including detailed dimensional diagrams, footprints, paste mask recommendations, pinout tables and a recommended pad layout, please see the *ANTARIS<sup>®</sup>4 System Integration Manual* [1].

## Pinout

Standard Function				
No	Module	Name	I/O	Description
1	LEA-4A, LEA-4S, LEA-4M	TxD2	O	Serial Port 2
	LEA-4H, LEA-4P, LEA-4T	(Reserved)	I	
	LEA-4R	MOSI	O	SPI MOSI
2	LEA-4A, LEA-4S, LEA-4M	RxD2	I	Serial Port 2
	LEA-4H, LEA-4P, LEA-4T	(Reserved)		
	LEA-4R	MISO	I	SPI MISO
3	All	TxD1	O	Serial Port 1
4	All	RxD1	I	Serial Port 1
5	All	VDDIO	I	Pad voltage supply
6	All	VCC	I	Supply voltage
7	All	GND	I	Ground
8	All	VDD18OUT	O	1.8V output
9	LEA-4A, LEA-4S, LEA-4M	GPSPMODE6	I	Boot-time config. pin
	LEA-4H, LEA-4P, LEA-4T	(Reserved)	I	
	LEA-4R	PCSO_N	O	SPI Chip Select 0 (Temperature Sensor)
10	All	RESET_N	I/O	Reset
11	All	V_BAT	I	Backup voltage supply
12	All	BOOT_INT	I	Boot mode
13	All	GND	I	Ground
14	All	GND	I	Ground
15	All	GND	I	Ground
16	All	RF_IN	I	GPS signal input
17	All	GND	I	Ground
18	All	VCC_RF	O	Output Voltage RF sect.
19	LEA-4A, LEA-4H, LEA-4P, LEA-4R, LEA-4S, LEA-4T	V_ANT	I	Antenna Bias voltage
	LEA-4M	NC	I/O	Not Connected
20	LEA-4A, LEA-4H, LEA-4P, LEA-4R, LEA-4S, LEA-4T	AADET_N	I	Active Antenna Detect
	LEA-4M	(Reserved)	I	
21	LEA-4A, LEA-4S, LEA-4M	GPSPMODE5	I	Boot-time config. pin
	LEA-4H, LEA-4P, LEA-4T	EXTINT1	I	External Interrupt pin
	LEA-4R	FWD	I	Direction Indication (1=Forward)
22	LEA-4A, LEA-4M	GPSPMODE2	I	Boot-time config. pin
	LEA-4S	GPSPMODE23	I	Boot-time config. pin
	LEA-4H, LEA-4P, LEA-4T	NC	I	Not Connected
	LEA-4R	PCS2_N	O	SPI Chip Select 2 (A/D Converter)
23	LEA-4A, LEA-4S, LEA-4M	GPSPMODE7	I	Boot-time config. pin
	LEA-4H, LEA-4P, LEA-4T	NC		Not Connected
	LEA-4R	SCK	O	SPI Clock
24	All	VDDUSB	I	USB Supply
25	All	USB_DM	I/O	USB Data
26	All	USB_DP	I/O	USB Data
27	LEA-4A, LEA-4H, LEA-4M, LEA-4P, LEA-4S, LEA-4T	EXTINT0	I	External Interrupt Pin
	LEA-4R	SPEED	I	Odometer Speedpulses
28	All	TIMEPULSE	O	Time pulse (1PPS)

Shaded pins have dead reckoning specific function. For implementation details see the *TIM/LEA-4R System Integration Manual* [3].

**Table 15: Pinout**

**! Note** Pins designated Reserved should only be used with caution. For more information about Pinouts see the *ANTARIS®4 System Integration Manual* [1].

## 4 Electrical Specifications

### 4.1 Absolute Maximum Ratings

Parameter	Symbol	Module	Min	Max	Units
<b>Power Supply</b>					
Power supply voltage (VCC)	Vcc	All	-0.3	3.6	V
I/O supply voltage (VDDIO)	Vddio	All	-0.3	3.6	V
Backup battery voltage (V_BAT)	Vbat	All	-0.3	3.6	V
<b>Input Pins</b>					
Digital input pin voltage (except RESET_N, VDDUSB, USB_DP, USB_DM)	Vin	All	-0.3	5	V
Input pin voltage of RESET_N	Vin_reset	All	-0.3	1.95	V
Input pin voltage VDDUSB	Vin_usb	All	-0.3	3.6	V
Input pin voltage USB_DP, USB_DM	Vin_usbio	All	-1	4.6	V
<b>Voltage Supply output for Active Antenna and RF Section</b>					
VCC_RF output current	Iccrf	All		50	mA
<b>RF Input</b>					
Antenna bias voltage (applied via V_ANT)	Vant	All	0	6	V
Antenna bias current (applied via V_ANT)	Iant	All		100	mA
Input power at RF_IN (source impedance 50Ω, continuous wave)	Prfin	All		-5	dBm
<b>Environment</b>					
Storage temperature	Tstg	LEA-4H, LEA-4S, LEA-4T	-40	85	°C
		LEA-4A, LEA-4M, LEA-4P, LEA-4R	-40	125	°C

**Table 16: Absolute Maximum Ratings**

**! Warning** Stressing the device beyond the “Absolute Maximum Ratings” may cause permanent damage. These are stress ratings only. The product is not protected against overvoltage or reversed voltages. If necessary, voltage spikes exceeding the power supply voltage specification, given in table above, must be limited to values within the specified boundaries by using appropriate protection diodes.

## 4.2 Operating Conditions

Parameter <sup>8</sup>	Symbol	Module	Min	Typical	Max	Units	Condition
<b>Power Supply</b>							
Power supply voltage (VCC)	Vcc	All	2.7		3.3	V	
I/O supply voltage (VDDIO)	Vddio	All	1.65		3.6	V	
Power supply voltage ripple	Vcc_PP	All			50	mV	
Sustained supply current <sup>9</sup>	Icc	LEA-4A LEA-4H LEA-4M LEA-4P LEA-4R LEA-4S LEA-4T		35 39 35 36 48 38 39		mA	Vcc = 3.0 V
Peak supply current <sup>10</sup>	Iccp	All			70	mA	Vcc = 3.3 V
Sleep mode current	Iccs	All		65		µA	Vcc = 3.0 V
Backup battery voltage	Vbat	All	1.5		3.6	V	
Backup battery current	Ibat	All		5		µA	Vbat = 3.3V
1.8V output voltage (VDD18OUT pin)	Vdd18out	All	1.65	1.8	1.95	V	
1.8V output current (VDD18OUT pin)	Idd18out	All			30	mA	
<b>UART and all I/O Signals<sup>11</sup></b>							
Input pin voltage range	Vin	All	0		5	V	
Input pin low voltage	Vin_low	All			0.41	V	
Input pin high voltage	Vin_high	All	1.46			V	
Output pin voltage range	Vout	All	0		VDDIO	V	
Output pin low voltage	Vout_low	All			0.4	V	Iout = 1.5mA
Output pin high voltage	Vout_high	All	VDDIO-0.5			V	Iout = -1.5mA
<b>USB</b>							
VDDUSB (Pin 24) for USB operation	Vddusb1	All	3.0		3.6	V	
VDDUSB (Pin 24) if USB not used (low)	Vddusb0	All	0		2	V	
USB_DM, USB_DP	VinU	All	Compatible with USB with 27 Ohms series resistance				
<b>RESET_N Input (Open-Drain I/O)</b>							
Input and output pin voltage range	VinR	All	0		VDD18OUT	V	
Input pin low voltage	Vin_lowR	All			0.46	V	
Input pin high voltage <sup>12</sup>	Vin_highR	All	1.3			V	
Output pin low voltage	Vout_lowR	All			0.1	V	Iout = 0.3 mA
Output pin high voltage	Vout_highR	All	VDD18OUT -0.2			V	Iout = 0.1 mA

<sup>8</sup> All specification are at an ambient temperature of 25°C.

<sup>9</sup> Average current drawn during Continuous Tracking Mode with 1 Hz update rate, using 9 channels for tracking and navigation and 3 channels for searching satellites (= acquisition). Use this figure to determine required battery capacity.

<sup>10</sup> Peak current drawn during initial acquisition phase. Use this figure to dimension maximum current capability of power supply.

<sup>11</sup> RxD1, RxD2 and EXTINT0 provide internal pull-up to V\_BAT18 (Battery supply regulated to 1.8V) and not VCC.

<sup>12</sup> Do not drive high.

Parameter <sup>13</sup>	Symbol	Module	Min	Typical	Max	Units	Condition
<b>Dead Reckoning Signals</b>							
Input frequency (SPEED)	f <sub>speed</sub>	LEA-4R	1 <sup>14</sup>		5000	Hz	
Odometer Scale Factor	Skf_t	LEA-4R	1100		40000	Pulse /km	Odometer Scale Factor
DR calculation rate		LEA-4R			40	Hz <sup>15</sup>	
<b>RF input</b>							
Antenna gain	G <sub>ant</sub>	All			50	dB	
V_ANT antenna bias voltage (must connect to ground if not used)	V <sub>ant</sub>	LEA-4A <sup>16</sup> LEA-4H LEA-4P LEA-4R LEA-4S LEA-4T	2		6	V	
Antenna bias voltage drop	V <sub>ant_drop</sub>	LEA-4A LEA-4H LEA-4P LEA-4R LEA-4S LEA-4T		20	50	mV	I <sub>ant</sub> =10mA
VCC_RF voltage	V <sub>ccrf</sub>	All		V <sub>cc</sub> – 0.1		V	
VCC_RF output current	I <sub>ccrf</sub>	All		20	50	mA	
<b>Environment</b>							
Operating temperature	T <sub>opr</sub>	LEA-4A LEA-4H LEA-4P LEA-4R LEA-4S LEA-4T LEA-4M	-40 -40 -40 -40 -40 -40 -30		85 85 85 85 85 85 70	°C °C °C °C °C °C °C	

**Table 17: Operating Conditions**

Running this device beyond the "Operating Conditions" is not recommended and extended exposure beyond them may affect its reliability.

<sup>13</sup> All specification are at an ambient temperature of 25°C.

<sup>14</sup> Frequencies below this threshold will be recognized as standstill of the vehicle.

<sup>15</sup> Internal calculation rate for high accuracy in DR calculation. Not to be confused with Max Update Rate.

<sup>16</sup> Not supported by LEA-4M

## 5 Environmental Specifications

Detailed description of the test series:

Test		Standard	Samples
Visual inspection		IPC-A-610 D, class 2 "Acceptability of electronic assemblies"	176
Temperature step	-40°C...+85°C, steps of 5K, operating	ISO 16750-4, IEC68-2-1, IEC68-2-2	176
Metallographic investigations		IPC-A-600 F, Class 2 "Acceptability of printed boards"	6
Dry heat	+60°C, 5% rH, 1000 hours, operating	IEC68-2-2	32
Damp heat	+60°C, 95% rH, 1000 hours, operating	IEC68-2-3	32
Thermal shock	-40°C...+125°C, 100 cycles	IEC 68-2-14	42
Lifespan test	+85°C/1000 hours, operating	IEC 68-2-2	50
Dry heat	+125°C, 1000 hours, non-operating	IEC68-2-2	16
Damp heat, cyclic	+25°C...+55°C; >90% rH, operating	IEC 68-2-30, Db variation 1	16
Vibration	5-500 Hz, 5g, 2.5 hours/axis at -40°C, +25° and 85°C, operating	IEC 68-2-6	8
Shock	30g/11ms (half sine), 3 shocks/axis; non-operating	IEC 68-2-27	8

**Table 18: Environmental Specification**

## 6 Settings

### 6.1 Default Settings

Following default settings apply if all GPSPIN pins are left open. Please refer to the *ANTARIS®4 System Integration Manual* [1] for information about further settings.

Interface	Module	Settings
Serial Port 1 Output USB Output	All	9600 Baud, 8 bits, no parity bit, 1 stop bit Configured to transmit both NMEA and UBX protocols, but only following NMEA and no UBX messages have been activated at start-up: <b>GGA, GLL, GSA, GSV, RMC, VTG, ZDA, TXT</b>
Serial Port 1 Input	All	9600 Baud, 8 bits, no parity bit, 1 stop bit, Autobauding disabled Automatically accepts following protocols without need of explicit configuration: <b>UBX, NMEA, RTCM</b> The GPS receiver supports interleaved UBX and NMEA messages.
USB Input	All	Automatically accepts following protocols without need of explicit configuration: <b>UBX, NMEA</b> The GPS receiver supports interleaved UBX and NMEA messages. USB Power Mode: Self Powered
TIMEPULSE	All	1 pulse per second, synchronized at rising edge, pulse length 100ms

**Table 19: Available Protocols.**

Module	Sensitivity Setting	Remark
LEA-4P, LEA-4R	Normal	The sensitivity mode can be changed with the CFG-RXM message.
LEA-4H, LEA-4T	Auto	
LEA-4A, LEA-4M, LEA-4S	High	

**Table 20: sensitivity settings**



## 7 Product Lineup

### 7.1 Ordering Information

Ordering No.	Product
LEA-4A-0-000- <u>2</u>	LEA-4A GPS Module
LEA-4H-0-000- <u>1</u>	LEA-4H GPS Module
LEA-4M-0-000- <u>2</u>	LEA-4M GPS Module
LEA-4P-0-000- <u>1</u>	LEA-4P GPS Module
LEA-4R-0-000- <u>1</u>	LEA-4R GPS Module
LEA-4S-0-000- <u>2</u>	LEA-4S GPS Module
LEA-4T-0-000- <u>1</u>	LEA-4T GPS Module
	<u>Delivery Packing</u> <b>0</b> = Single samples <b>1</b> = Tape on reel (100 pieces) LEA-4A, LEA-4H, LEA-4P, LEA-4R, LEA-4S, LEA-4T <b>2</b> = Tape on reel (250 pieces) LEA-4M

**Table 21: Ordering Information**

## Related Documents

- [1] ANTARIS® 4 System Integration Manual, Doc No GPS.G4-MS4-05007
- [2] ANTARIS® 4 Protocol Specification, Doc No GPS.G3-X-03002
- [3] TIM/LEA-4R System Integration Manual, Doc No GPS.G4-MS4-05043

All these documents are available on our homepage (<http://www.u-blox.com>).

# Contact

For further info, please contact us:

## Headquarters

### u-blox AG

Zuercherstrasse 68  
CH-8800 Thalwil  
Switzerland

Phone: +41 44 722 74 44  
Fax: +41 44 722 74 47  
E-mail: [info@u-blox.com](mailto:info@u-blox.com)

[www.u-blox.com](http://www.u-blox.com)

## Sales Offices

### North, Central and South America

#### u-blox America, Inc.

1902 Campus Commons Drive  
Suite 310  
Reston, VA 20191  
USA

Phone: +1 (703) 483 3180  
Fax: +1 (703) 483 3179  
E-mail: [info\\_us@u-blox.com](mailto:info_us@u-blox.com)

#### Regional Office West Coast:

8600 Lemon Ave #1  
La Mesa, CA 91941  
USA

Phone: +1 (619) 741 3011  
Fax: +1 (619) 741 4334  
E-mail: [info\\_us@u-blox.com](mailto:info_us@u-blox.com)

#### Technical Support:

Phone: +1 (703) 483 3185  
E-mail: [support\\_us@u-blox.com](mailto:support_us@u-blox.com)

### Europe, Middle East, Africa

#### u-blox AG

Zuercherstrasse 68  
CH-8800 Thalwil  
Switzerland

Phone: +41 44 722 74 77  
Fax: +41 44 722 74 47  
E-mail: [info@u-blox.com](mailto:info@u-blox.com)

#### Technical Support:

Phone: +41 44 722 74 74  
E-mail: [support@u-blox.com](mailto:support@u-blox.com)

### Asia, Australia, Pacific

#### u-blox Singapore Pte. Ltd.

435 Orchard Road  
#19-02, Wisma Atria,  
Singapore 238877

Phone: +65 6734 3811  
Fax: +65 6736 1533  
E-mail: [info\\_ap@u-blox.com](mailto:info_ap@u-blox.com)  
Support: [support\\_ap@u-blox.com](mailto:support_ap@u-blox.com)

#### Regional Office China:

Room 716-718  
No. 65 Fuxing Road  
Beijing, 100036, China

Phone: +86 10 68 133 545  
Fax: +86 10 68 217 890  
E-mail: [info\\_cn@u-blox.com](mailto:info_cn@u-blox.com)  
Support: [support\\_cn@u-blox.com](mailto:support_cn@u-blox.com)

#### Regional Office Korea:

1258 Ho, Shinhan MetroKhan  
#1115, BisanDong  
DongAn-Ku  
Anyang-si  
KyungKi-do, Korea

Phone: +82 31 383 2584  
Fax: +82 31 386 2584  
E-mail: [info\\_kr@u-blox.com](mailto:info_kr@u-blox.com)  
Support: [support\\_kr@u-blox.com](mailto:support_kr@u-blox.com)

#### Regional Office Taiwan:

Room 305  
3F, #181, ZouTze Street  
Neihu Dis.  
Taipei, Taiwan

Phone: +886 2 2657 1090  
Fax: +886 2 2657 1097  
E-mail: [info\\_tw@u-blox.com](mailto:info_tw@u-blox.com)  
Support: [support\\_tw@u-blox.com](mailto:support_tw@u-blox.com)